



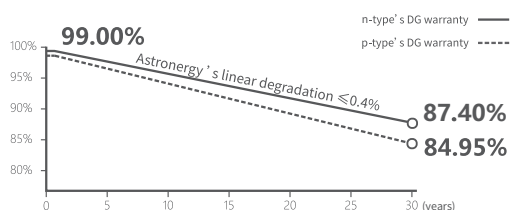
Bifacial Series

440~460W

Warranty

15 15-year Product Warranty

30 30-year Linear Power Warranty



n-type TOPCon 4.0

Novel upgrade, enhancing module efficiency



ZBB-TF (Tiling Film)

Zero-busbar integrated interconnection



Sleek Design

≤ 2 m² area, easy to transport and install



All-black Technology

Sleek crystalline black appearance, seamlessly blending into rooftops



IEC 61215, IEC 61730
 ISO 9001:2015:ISO Quality Management System
 ISO 14001:2015:ISO Environment Management System
 ISO 45001:Occupational Health and Safety
 The first solar company which passed the Nord IEC/TS 62941 certification audit

AVIN

Livefun Solar



440~460W

POWER RANGE

0~+3%

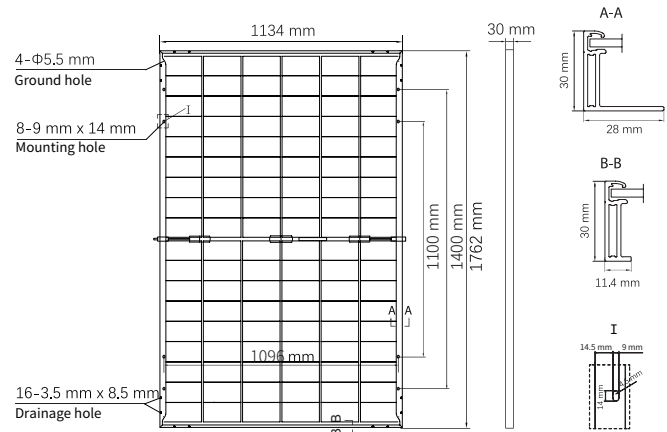
POWER SORTING

23.0%MAX MODULE
EFFICIENCY**≤ 1.0%**FIRST YEAR
POWER DEGRADATION**≤ 0.4%**YEAR 2-30
POWER DEGRADATION

Mechanical Specifications

Outer dimensions (L x W x H)	1762 x 1134 x 30 mm
Cell type	n-type mono-crystalline
No. of cells	108 (6*18)
Frame technology	Aluminum, black anodized
Front / Back glass	1.6+1.6 mm
Cable length (Including connector)	Portrait: (+)350 mm, (-)250 mm; Customized length
Cable diameter (IEC/UL)	4 mm ² / 12 AWG
① Maximum mechanical test load	5400 Pa (front) / 2400 Pa (back)
Connector type (IEC/UL)	HCB40 (Standard) / MC4-EVO2A (Optional)
Module weight	21.5 kg
Packing unit	36 pcs / box
Weight of packing unit (for 40'HQ container)	820 kg
Modules per 40' HQ container	936 pcs (Subject to sales contract)

① Refer to crystalline installation manual or contact technical department.
Maximum Mechanical Test Load=1.5×Maximum Mechanical Design Load.



Electrical Specifications

STC: Irradiance 1000W/m², Cell Temperature 25° C, AM=1.5

	440	445	450	455	460
Rated output (P _{mpp} / Wp)					
Rated voltage (V _{mpp} / V)	33.05	33.22	33.39	33.56	33.73
Rated current (I _{mpp} / A)	13.31	13.40	13.48	13.56	13.64
Open circuit voltage (V _{oc} / V)	39.00	39.20	39.40	39.60	39.80
Short circuit current (I _{sc} / A)	14.10	14.19	14.28	14.36	14.45
Module efficiency	22.0%	22.3%	22.5%	22.8%	23.0%

NMOT: Irradiance 800W/m², Ambient Temperature 20° C, AM=1.5, Wind Speed 1m/s

	330.9	334.6	338.4	342.2	345.9
Rated output (P _{mpp} / Wp)					
Rated voltage (V _{mpp} / V)	31.11	31.27	31.43	31.59	31.75
Rated current (I _{mpp} / A)	10.64	10.70	10.77	10.83	10.90
Open circuit voltage (V _{oc} / V)	37.04	37.23	37.42	37.61	37.80
Short circuit current (I _{sc} / A)	11.38	11.46	11.53	11.59	11.66

Electrical Specifications (Integrated power)

P _{mpp} gain	P _{mpp} / Wp	V _{mpp} / V	I _{mpp} / A	V _{oc} / V	I _{sc} / A
5%	473	33.39	14.15	39.40	14.99
10%	495	33.39	14.82	39.40	15.70
15%	518	33.39	15.50	39.40	16.42
20%	540	33.39	16.17	39.40	17.13
25%	563	33.39	16.85	39.40	17.85

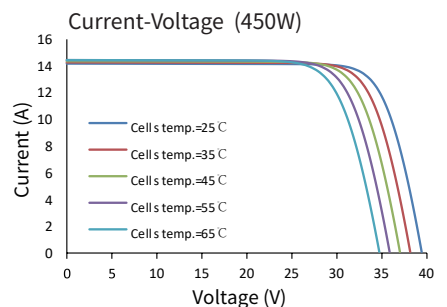
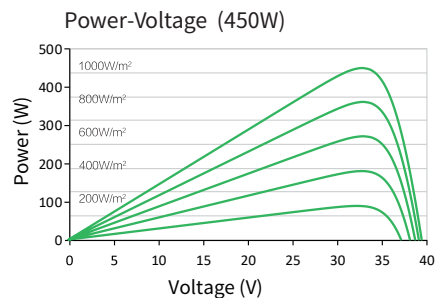
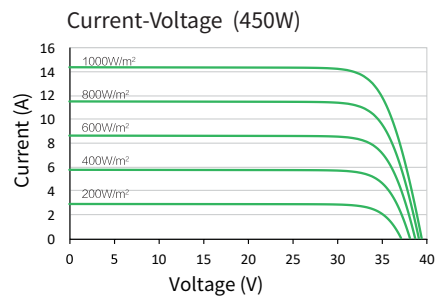
Electrical characteristics with different rear power gain (reference to 450W)

Temperature Ratings (STC)

Operating Parameters

Temperature coefficient (P _{mpp})	-0.29%/°C	No. of diodes	3
Temperature coefficient (I _{sc})	+0.043%/°C	Junction box IP rating	IP 68
Temperature coefficient (V _{oc})	-0.25%/°C	Max. series fuse rating	30 A
Nominal module operating temperature (NMOT)	41±2°C	Max. system voltage (IEC/UL)	1500V _{DC}

Curve





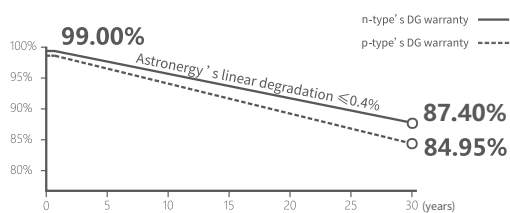
Bifacial Series

445~465W

Warranty

15 15-year Product Warranty

30 30-year Linear Power Warranty



n-type TOPCon 4.0

Novel upgrade, enhancing module efficiency



ZBB-TF (Tiling Film)

Zero-busbar integrated interconnection



Sleek Design

$\leq 2 \text{ m}^2$ area, easy to transport and install



Integrated Appearance

Streamlined design without busbars or harpoon-like ribbons, perfect for upscale zero-carbon buildings



IEC 61215, IEC 61730
 ISO 9001:2015:ISO Quality Management System
 ISO 14001:2015:ISO Environment Management System
 ISO 45001:Occupational Health and Safety
 The first solar company which passed the Nord IEC/TS 62941 certification audit

AVIN

Livefun Solar



445~465W

POWER RANGE

0~+3%

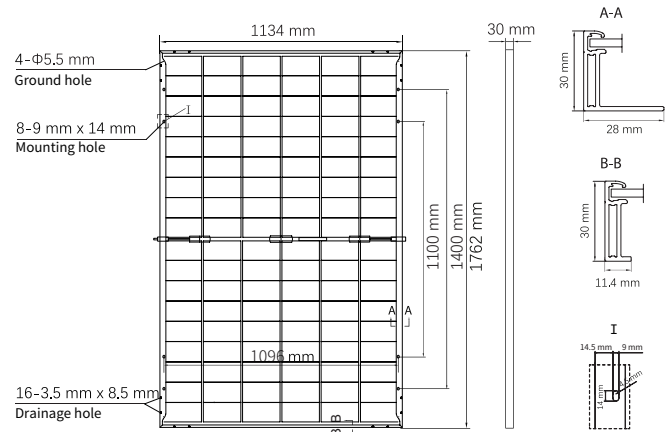
POWER SORTING

23.3%MAX MODULE
EFFICIENCY**≤ 1.0%**FIRST YEAR
POWER DEGRADATION**≤ 0.4%**YEAR 2-30
POWER DEGRADATION

Mechanical Specifications

Outer dimensions (L x W x H)	1762 x 1134 x 30 mm
Cell type	n-type mono-crystalline
No. of cells	108 (6*18)
Frame technology	Aluminum, black or silver anodized
Front / Back glass	1.6+1.6 mm
Cable length (Including connector)	Portrait: (+)350 mm, (-)250 mm; Customized length
Cable diameter (IEC/UL)	4 mm ² / 12 AWG
① Maximum mechanical test load	5400 Pa (front) / 2400 Pa (back)
Connector type (IEC/UL)	HCB40 (Standard) / MC4-EVO2A (Optional)
Module weight	21.5 kg
Packing unit	36 pcs / box
Weight of packing unit (for 40'HQ container)	820 kg
Modules per 40' HQ container	936 pcs (Subject to sales contract)

① Refer to crystalline installation manual or contact technical department.
Maximum Mechanical Test Load=1.5×Maximum Mechanical Design Load.



Electrical Specifications

STC: Irradiance 1000W/m², Cell Temperature 25° C, AM=1.5

Rated output (Pmpp / Wp)	445	450	455	460	465
Rated voltage (Vmpp / V)	32.77	32.94	33.11	33.28	33.45
Rated current (Impp / A)	13.58	13.66	13.74	13.82	13.90
Open circuit voltage (Voc / V)	39.00	39.20	39.40	39.60	39.80
Short circuit current (Isc / A)	14.26	14.35	14.44	14.52	14.60
Module efficiency	22.3%	22.5%	22.8%	23.0%	23.3%

NMOT: Irradiance 800W/m², Ambient Temperature 20° C, AM=1.5, Wind Speed 1m/s

Rated output (Pmpp / Wp)	334.6	338.4	342.2	345.9	349.7
Rated voltage (Vmpp / V)	30.85	31.01	31.16	31.32	31.48
Rated current (Impp / A)	10.85	10.91	10.98	11.04	11.11
Open circuit voltage (Voc / V)	37.04	37.23	37.42	37.61	37.80
Short circuit current (Isc / A)	11.51	11.58	11.65	11.72	11.79

Electrical Specifications (Integrated power)

Pmpp gain	Pmpp / Wp	Vmpp / V	Impp / A	Voc / V	Isc / A
5%	478	33.39	14.31	39.40	15.16
10%	501	33.39	14.99	39.40	15.88
15%	523	33.39	15.67	39.40	16.60
20%	546	33.39	16.35	39.40	17.32
25%	569	33.39	17.03	39.40	18.04

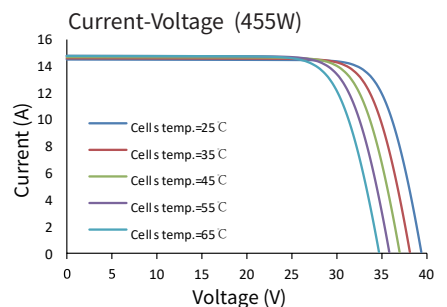
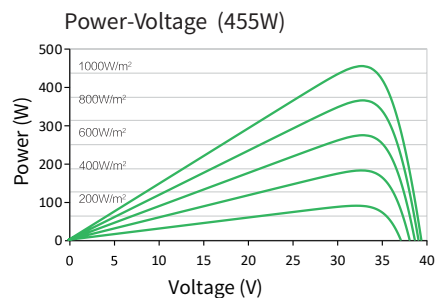
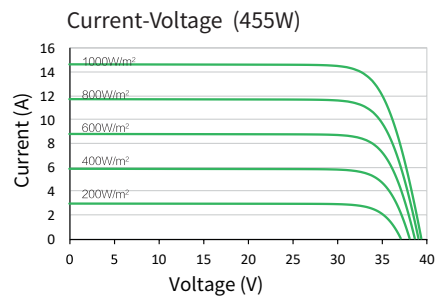
Electrical characteristics with different rear power gain (reference to 455W)

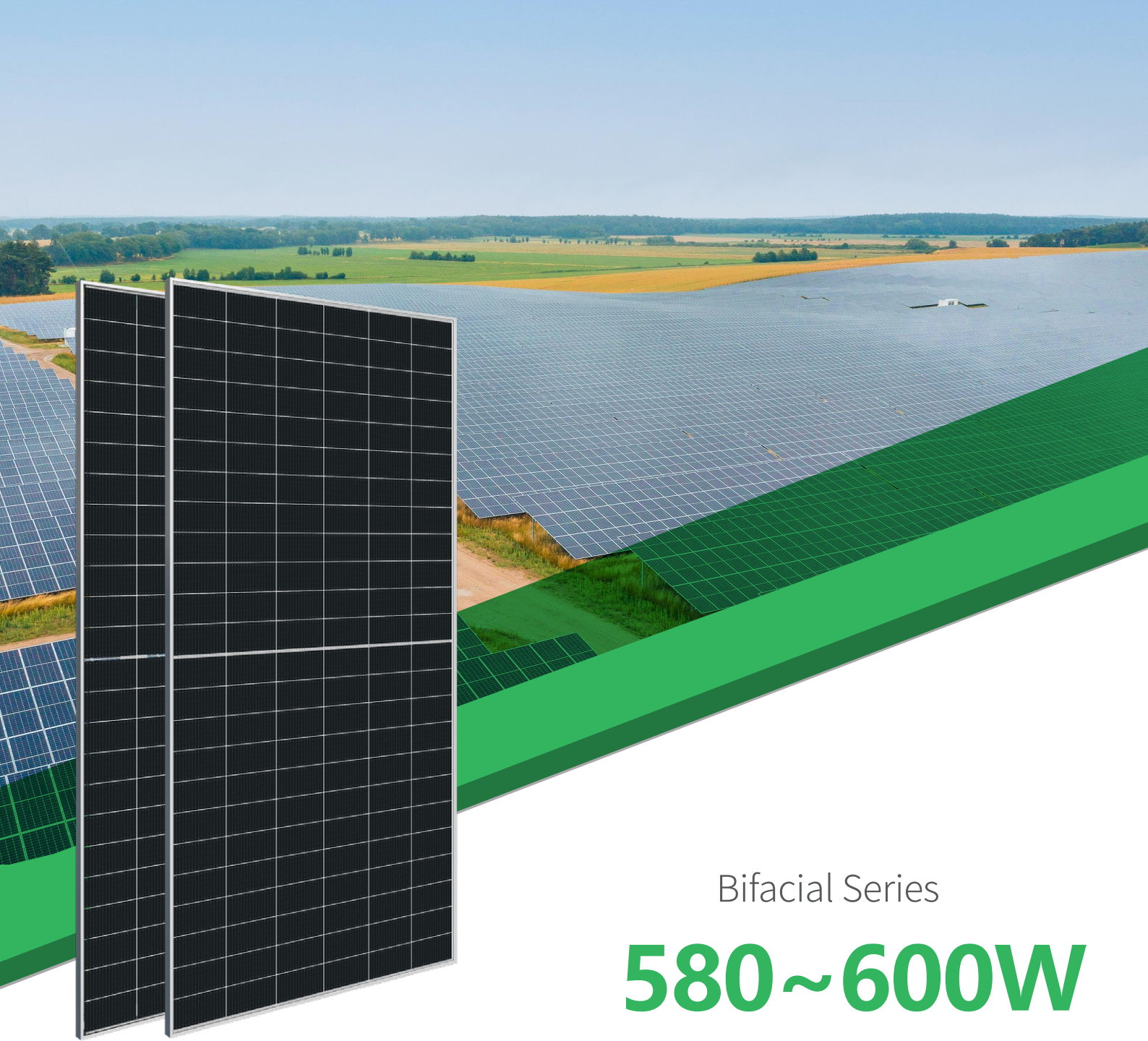
Temperature Ratings (STC)

Operating Parameters

Temperature coefficient (Pmpp)	-0.29%/°C	No. of diodes	3
Temperature coefficient (Isc)	+0.043%/°C	Junction box IP rating	IP 68
Temperature coefficient (Voc)	-0.25%/°C	Max. series fuse rating	30 A
Nominal module operating temperature (NMOT)	41±2°C	Max. system voltage (IEC/UL)	1500V _{DC}

Curve



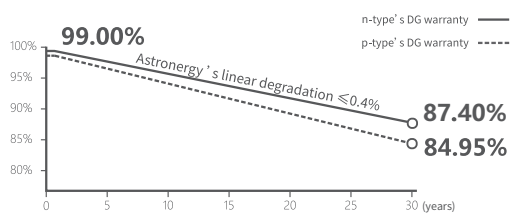


Bifacial Series

580~600W

Warranty

15 15-year Product Warranty **30** 30-year Linear Power Warranty



n-type TOPCon 4.0

Novel upgrade, enhancing module efficiency



SMBB Design

Enhancing current collection, minimizing power loss



Better Temperature Coefficient

≤ -0.29%/°C, adapting for high temperature



Bifacial Power Generation

Maximizing bifaciality, boosting backside power output



IEC 61215, IEC 61730
 ISO 9001:2015:ISO Quality Management System
 ISO 14001:2015:ISO Environment Management System
 ISO 45001:Occupational Health and Safety
 The first solar company which passed the Nord IEC/TS 62941 certification audit

Livfun Solar



AVIN

580~600W

POWER RANGE

0~+3%

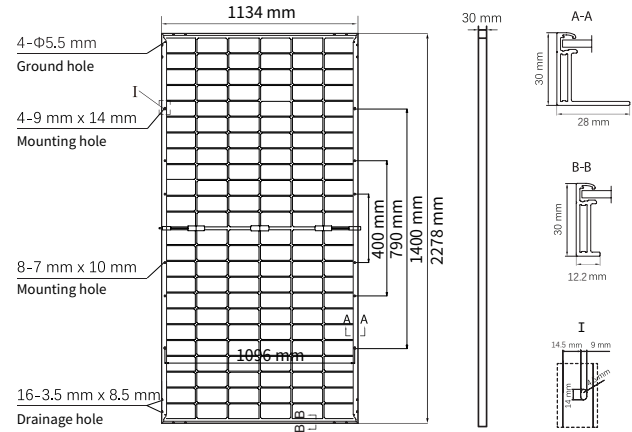
POWER SORTING

23.2%MAX MODULE
EFFICIENCY**≤ 1.0%**FIRST YEAR
POWER DEGRADATION**≤ 0.4%**YEAR 2-30
POWER DEGRADATION

Mechanical Specifications

Outer dimensions (L x W x H)	2278 x 1134 x 30 mm
Cell type	n-type mono-crystalline
No. of cells	144 (6*24)
Frame technology	Aluminum, silver anodized
Front / Back glass	2.0+2.0 mm
Cable length (Including connector)	Portrait: (+)350 mm, (-)250 mm; Customized length
Cable diameter (IEC/UL)	4 mm ² / 12 AWG
① Maximum mechanical test load	5400 Pa (front) / 2400 Pa (back)
Connector type (IEC/UL)	HCB40 (Standard) / MC4-EVO2A (Optional)
Module weight	32.1 kg
Packing unit	36 pcs / box
Weight of packing unit (for 40'HQ container)	1207 kg
Modules per 40' HQ container	720 pcs (Subject to sales contract)

① Refer to crystalline installation manual or contact technical department.
Maximum Mechanical Test Load=1.5×Maximum Mechanical Design Load.



Electrical Specifications

STC: Irradiance 1000W/m², Cell Temperature 25° C, AM=1.5

	580	585	590	595	600
Rated output (Pmpp / Wp)	580	585	590	595	600
Rated voltage (Vmpp / V)	43.11	43.27	43.45	43.61	43.78
Rated current (Impp / A)	13.45	13.52	13.58	13.64	13.70
Open circuit voltage (Voc / V)	51.30	51.50	51.70	51.90	52.10
Short circuit current (Isc / A)	14.28	14.36	14.45	14.53	14.61
Module efficiency	22.5%	22.6%	22.8%	23.0%	23.2%

NMOT: Irradiance 800W/m², Ambient Temperature 20° C, AM=1.5, Wind Speed 1m/s

	436.2	439.9	443.7	447.4	451.2
Rated output (Pmpp / Wp)	436.2	439.9	443.7	447.4	451.2
Rated voltage (Vmpp / V)	40.59	40.73	40.89	41.06	41.21
Rated current (Impp / A)	10.75	10.80	10.85	10.90	10.95
Open circuit voltage (Voc / V)	48.73	48.92	49.11	49.30	49.49
Short circuit current (Isc / A)	11.53	11.59	11.66	11.73	11.80

Electrical Specifications (Integrated power)

Pmpp gain	Pmpp / Wp	Vmpp / V	Impp / A	Voc / V	Isc / A
5%	620	43.45	14.26	51.70	15.17
10%	649	43.45	14.94	51.70	15.89
15%	679	43.46	15.62	51.71	16.61
20%	708	43.46	16.30	51.71	17.33
25%	738	43.46	16.98	51.71	18.06

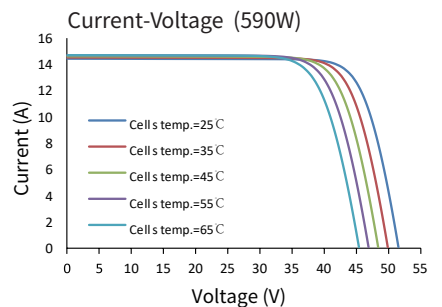
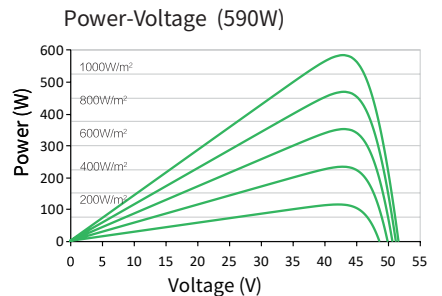
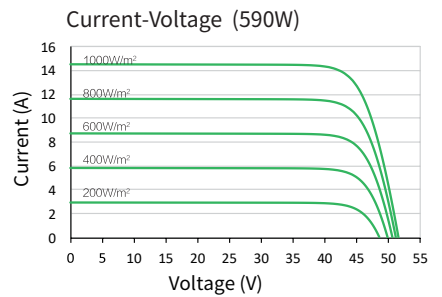
Electrical characteristics with different rear power gain (reference to 590W)

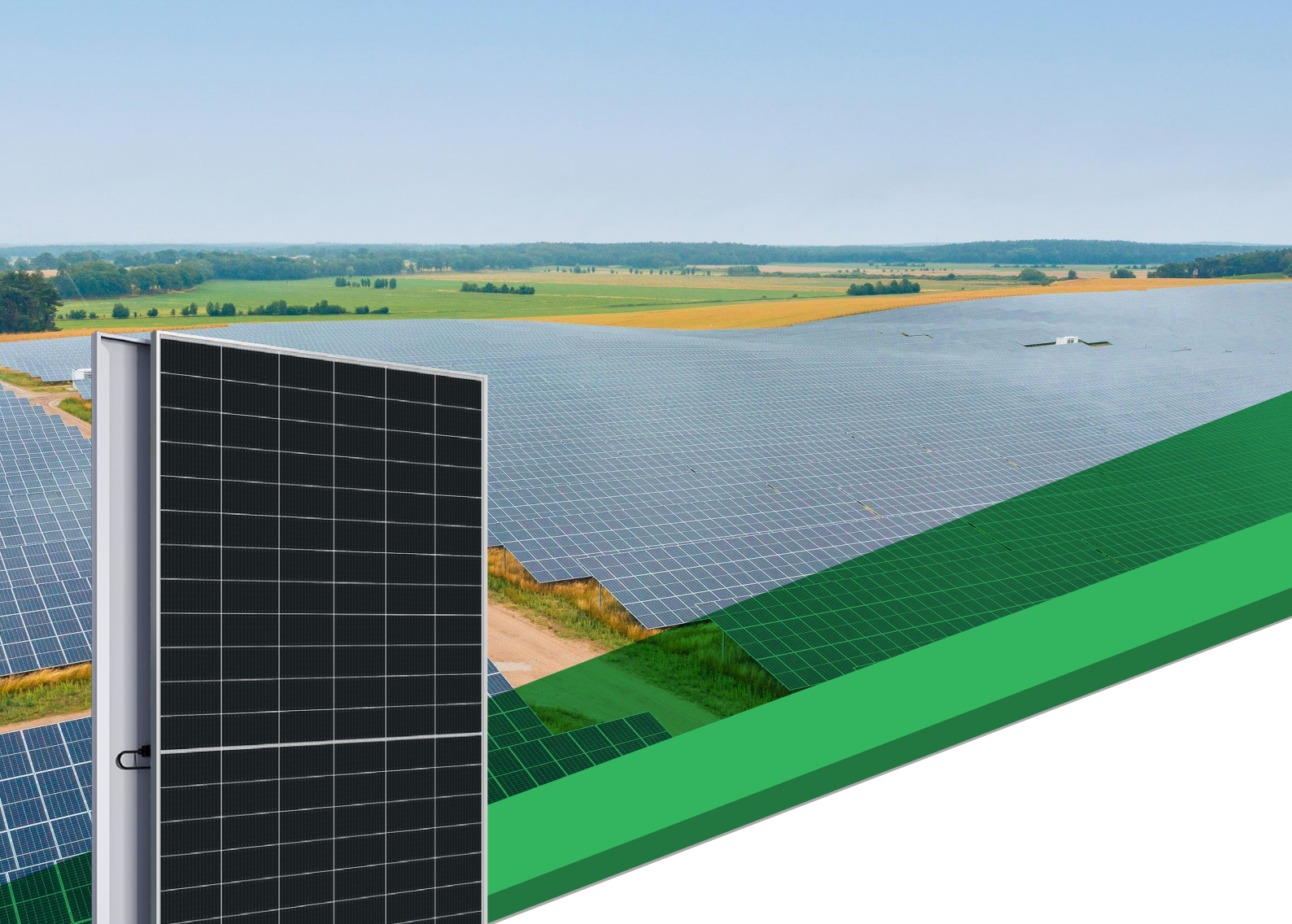
Temperature Ratings (STC)

Temperature coefficient (Pmpp)	-0.29%/°C	No. of diodes	3
Temperature coefficient (Isc)	+0.043%/°C	Junction box IP rating	IP 68
Temperature coefficient (Voc)	-0.25%/°C	Max. series fuse rating	30 A
Nominal module operating temperature (NMOT)	41±2°C	Max. system voltage (IEC/UL)	1500V _{DC}

Operating Parameters

Curve





Monofacial Series

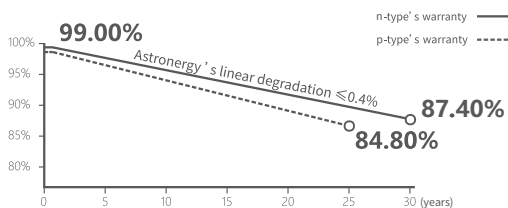
585~605W



Warranty

12 12-year Product Warranty

30 30-year Linear Power Warranty



n-type TOPCon 4.0

Novel upgrade, enhancing module efficiency



SMBB Design

Enhancing current collection, minimizing power loss



Better Temperature Coefficient

$\leq -0.29\%/^{\circ}\text{C}$, adapting for high temperature



Non-destructive Cutting

Improved cell bending strength, ensuring mechanical performance



IEC 61215, IEC 61730
 ISO 9001:2015:ISO Quality Management System
 ISO 14001:2015:ISO Environment Management System
 ISO 45001:Occupational Health and Safety
 The first solar company which passed the Nord IEC/TS 62941 certification audit

AVIN

Livefun Solar



585~605W

POWER RANGE

0~+3%

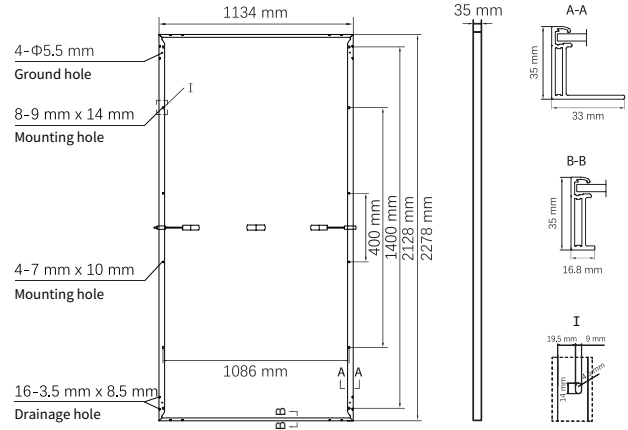
POWER SORTING

23.4%MAX MODULE
EFFICIENCY**≤ 1.0%**FIRST YEAR
POWER DEGRADATION**≤ 0.4%**YEAR 2-30
POWER DEGRADATION

Mechanical Specifications

Outer dimensions (L x W x H)	2278 x 1134 x 35 mm
Cell type	n-type mono-crystalline
No. of cells	144 (6*24)
Frame technology	Aluminum, silver anodized
Front glass thickness	3.2 mm
Cable length (Including connector)	Portrait: (+)350 mm, (-)250 mm; Customized length
Cable diameter (IEC/UL)	4 mm ² / 12 AWG
① Maximum mechanical test load	5400 Pa (front) / 2400 Pa (back)
Connector type (IEC/UL)	HCB40 (Standard) / MC4-EVO2A (Optional)
Module weight	26.9 kg
Packing unit	31 pcs / box
Weight of packing unit (for 40'HQ container)	885 kg
Modules per 40' HQ container	620 pcs (Subject to sales contract)

① Refer to crystalline installation manual or contact technical department.
Maximum Mechanical Test Load=1.5×Maximum Mechanical Design Load.



Electrical Specifications

STC: Irradiance 1000W/m², Cell Temperature 25° C, AM=1.5

	585	590	595	600	605
Rated output (Pmpp / Wp)	585	590	595	600	605
Rated voltage (Vmpp / V)	42.75	42.88	43.00	43.13	43.25
Rated current (Impp / A)	13.68	13.76	13.84	13.91	13.99
Open circuit voltage (Voc / V)	51.30	51.45	51.60	51.75	51.90
Short circuit current (Isc / A)	14.40	14.50	14.60	14.69	14.79
Module efficiency	22.6%	22.8%	23.0%	23.2%	23.4%

NMOT: Irradiance 800W/m², Ambient Temperature 20° C, AM=1.5, Wind Speed 1m/s

	439.9	443.7	447.4	451.2	455.0
Rated output (Pmpp / Wp)	439.9	443.7	447.4	451.2	455.0
Rated voltage (Vmpp / V)	40.24	40.36	40.47	40.59	40.71
Rated current (Impp / A)	10.93	10.99	11.06	11.12	11.18
Open circuit voltage (Voc / V)	48.73	48.87	49.01	49.16	49.30
Short circuit current (Isc / A)	11.62	11.71	11.78	11.86	11.94

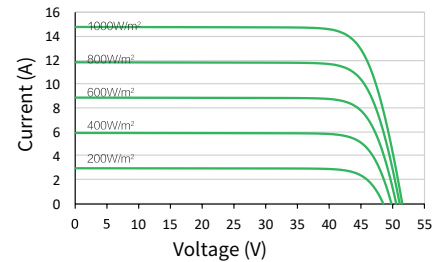
Temperature Ratings (STC)

Temperature coefficient (Pmpp)	-0.29%/°C	No. of diodes	3
Temperature coefficient (Isc)	+0.043%/°C	Junction box IP rating	IP 68
Temperature coefficient (Voc)	-0.25%/°C	Max. series fuse rating	25 A
Nominal module operating temperature (NMOT)	41±2°C	Max. system voltage (IEC/UL)	1500V _{DC}

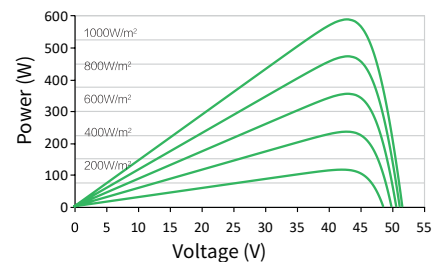
Operating Parameters

Curve

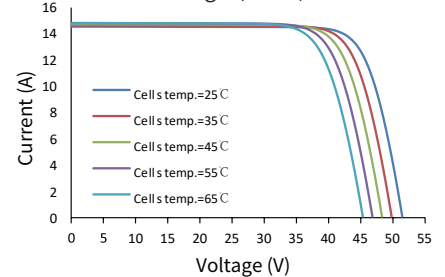
Current-Voltage (595W)

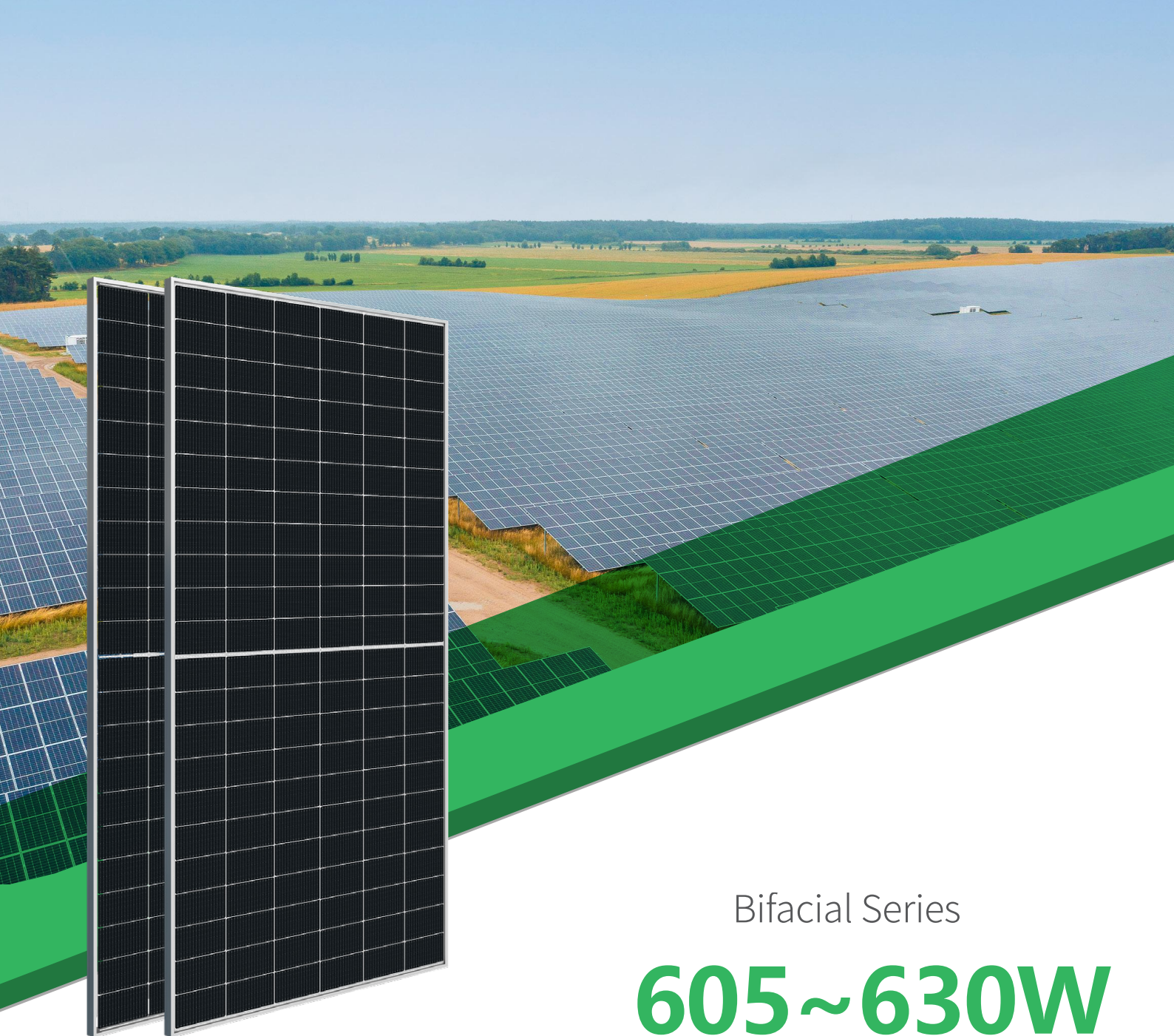


Power-Voltage (595W)



Current-Voltage (595W)



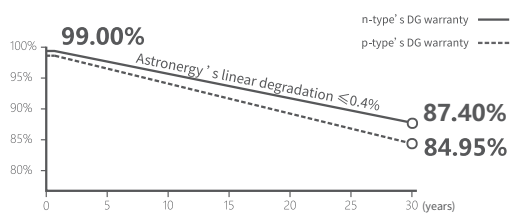


Bifacial Series

605~630W

Warranty

- 15** 15-year Product Warranty
- 30** 30-year Linear Power Warranty



n-type TOPCon 4.0

Novel upgrade, enhancing module efficiency



SMBB Design

Enhancing current collection, minimizing power loss



Low Voc Design

Increasing modules per string, lower BOS cost



Bifacial Power Generation

Maximizing bifaciality, boosting backside power output



IEC 61215, IEC 61730
 ISO 9001:2015:ISO Quality Management System
 ISO 14001:2015:ISO Environment Management System
 ISO 45001:Occupational Health and Safety
 The first solar company which passed the Nord IEC/TS 62941 certification audit

Livfun Solar



AVIN

605~630W

POWER RANGE

0~+3%

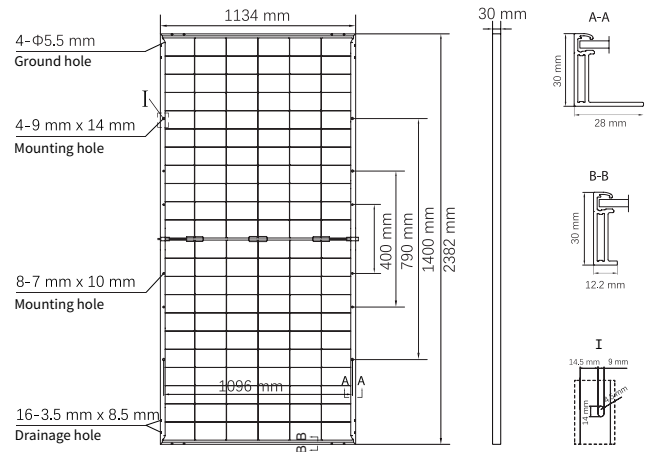
POWER SORTING

23.3%MAX MODULE
EFFICIENCY**≤ 1.0%**FIRST YEAR
POWER DEGRADATION**≤ 0.4%**YEAR 2-30
POWER DEGRADATION

Mechanical Specifications

Outer dimensions (L x W x H)	2382 x 1134 x 30 mm
Cell type	n-type mono-crystalline
No. of cells	132 (6*22)
Frame technology	Aluminum, silver anodized
Front / Back glass	2.0+2.0 mm
Cable length (Including connector)	Portrait: (+)350 mm, (-)250 mm; Customized length
Cable diameter (IEC/UL)	4 mm ² / 12 AWG
① Maximum mechanical test load	5400 Pa (front) / 2400 Pa (back)
Connector type (IEC/UL)	HCB40 (Standard) / MC4-EVO2A (Optional)
Module weight	32.8 kg
Packing unit	36 pcs / box
Weight of packing unit (for 40'HQ container)	1231 kg
Modules per 40' HQ container	720 pcs (Subject to sales contract)

① Refer to crystalline installation manual or contact technical department.
Maximum Mechanical Test Load=1.5×Maximum Mechanical Design Load.



Electrical Specifications

STC: Irradiance 1000W/m², Cell Temperature 25° C, AM=1.5

	605	610	615	620	625	630
Rated output (Pmpp / Wp)	605	610	615	620	625	630
Rated voltage (Vmpp / V)	41.18	41.31	41.43	41.56	41.69	41.82
Rated current (Impp / A)	14.69	14.77	14.84	14.92	14.99	15.07
Open circuit voltage (Voc / V)	48.59	48.74	48.89	49.04	49.19	49.34
Short circuit current (Isc / A)	15.86	15.94	16.02	16.11	16.19	16.27
Module efficiency	22.4%	22.6%	22.8%	23.0%	23.1%	23.3%

NMOT: Irradiance 800W/m², Ambient Temperature 20° C, AM=1.5, Wind Speed 1m/s

	455.0	458.7	462.5	466.2	470.0	473.8
Rated output (Pmpp / Wp)	455.0	458.7	462.5	466.2	470.0	473.8
Rated voltage (Vmpp / V)	38.76	38.88	39.00	39.12	39.24	39.36
Rated current (Impp / A)	11.74	11.80	11.86	11.92	11.98	12.04
Open circuit voltage (Voc / V)	46.15	46.30	46.44	46.58	46.72	46.86
Short circuit current (Isc / A)	12.80	12.87	12.94	13.00	13.07	13.13

Electrical Specifications (Integrated power)

Pmpp gain	Pmpp / Wp	Vmpp / V	Impp / A	Voc / V	Isc / A
5%	646	41.43	15.59	48.89	16.83
10%	677	41.43	16.33	48.89	17.63
15%	707	41.43	17.07	48.89	18.43
20%	738	41.43	17.81	48.89	19.23
25%	769	41.43	18.55	48.89	20.03

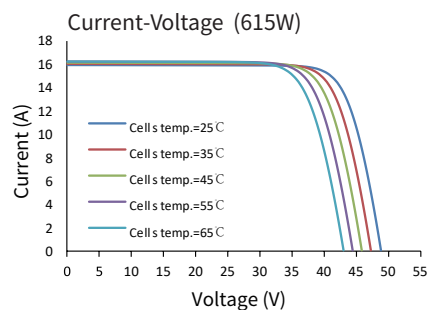
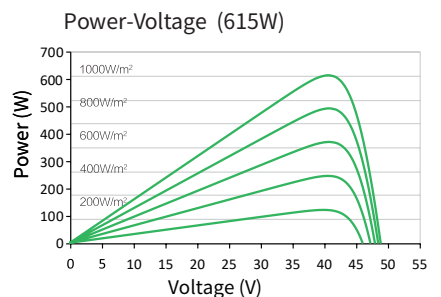
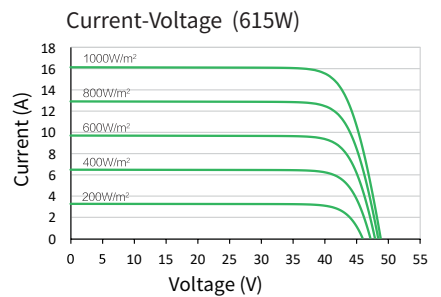
Electrical characteristics with different rear power gain (reference to 615W)

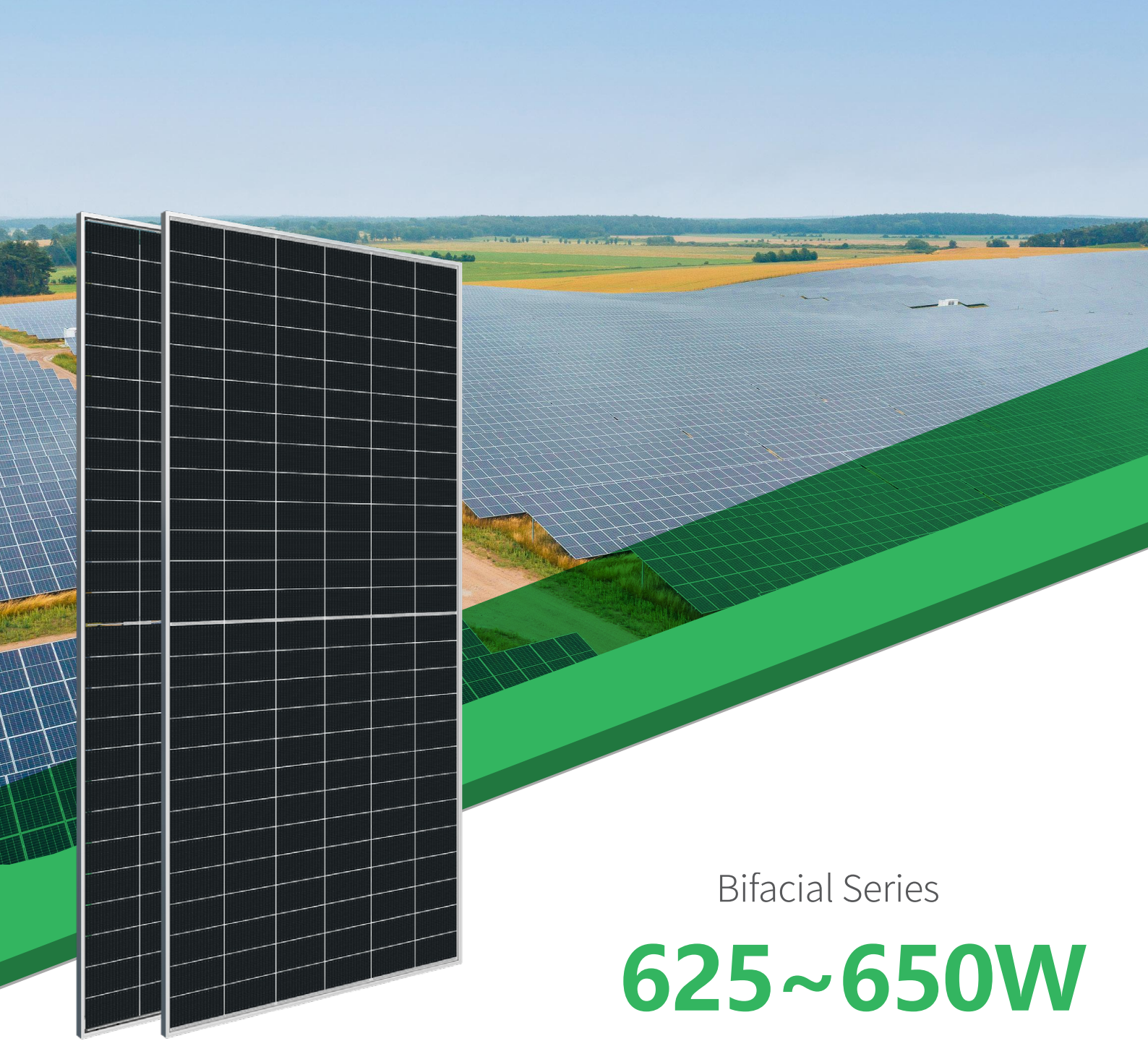
Temperature Ratings (STC)

Operating Parameters

Temperature coefficient (Pmpp)	-0.29%/°C	No. of diodes	3
Temperature coefficient (Isc)	+0.043%/°C	Junction box IP rating	IP 68
Temperature coefficient (Voc)	-0.25%/°C	Max. series fuse rating	35 A
Nominal module operating temperature (NMOT)	41±2°C	Max. system voltage (IEC/UL)	1500V _{DC}

Curve



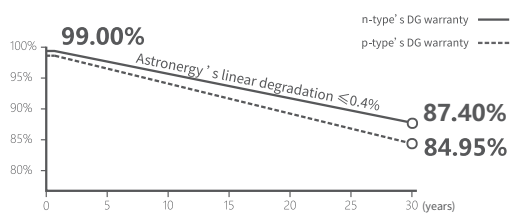


Bifacial Series

625~650W

Warranty

- 15** 15-year Product Warranty
- 30** 30-year Linear Power Warranty



n-type TOPCon 4.0

Novel upgrade, enhancing module efficiency



SMBB Design

Enhancing current collection, minimizing power loss



Better Temperature Coefficient

$\leq -0.29\%/^{\circ}\text{C}$, adapting for high temperature



Bifacial Power Generation

Maximizing bifaciality, boosting backside power output



IEC 61215, IEC 61730
 ISO 9001:2015:ISO Quality Management System
 ISO 14001:2015:ISO Environment Management System
 ISO 45001:Occupational Health and Safety
 The first solar company which passed the Nord IEC/TS 62941 certification audit

Livfun Solar



AVIN

625~650W

POWER RANGE

0~+3%

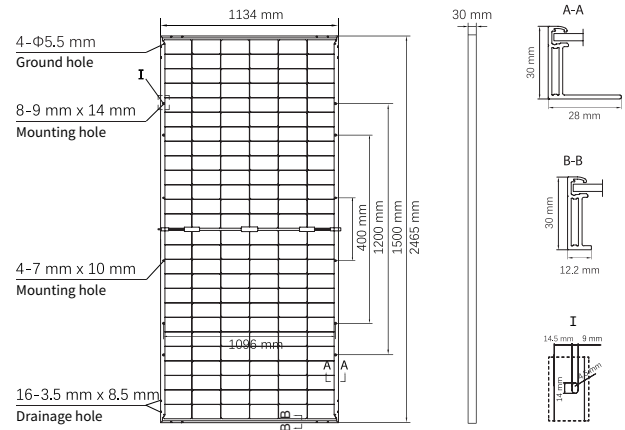
POWER SORTING

23.3%MAX MODULE
EFFICIENCY**≤ 1.0%**FIRST YEAR
POWER DEGRADATION**≤ 0.4%**YEAR 2-30
POWER DEGRADATION

Mechanical Specifications

Outer dimensions (L x W x H)	2465 x 1134 x 30 mm
Cell type	n-type mono-crystalline
No. of cells	156 (6*26)
Frame technology	Aluminum, silver anodized
Front / Back glass	2.0+2.0 mm
Cable length (Including connector)	Portrait: (+)350 mm, (-)250 mm; Customized length
Cable diameter (IEC/UL)	4 mm ² / 12 AWG
① Maximum mechanical test load	5400 Pa (front) / 2400 Pa (back)
Connector type (IEC/UL)	HCB40 (Standard) / MC4-EVO2A (Optional)
Module weight	34.7 kg
Packing unit	36 pcs / box
Weight of packing unit (for 40'HQ container)	1304 kg
Modules per 40' HQ container	576 pcs (Subject to sales contract)

① Refer to crystalline installation manual or contact technical department.
Maximum Mechanical Test Load=1.5×Maximum Mechanical Design Load.



Electrical Specifications

STC: Irradiance 1000W/m², Cell Temperature 25° C, AM=1.5

	625	630	635	640	645	650
Rated output (P _{mpp} / Wp)	625	630	635	640	645	650
Rated voltage (V _{mpp} / V)	46.29	46.45	46.62	46.79	46.95	47.12
Rated current (I _{mpp} / A)	13.50	13.56	13.62	13.68	13.74	13.80
Open circuit voltage (V _{oc} / V)	56.01	56.21	56.41	56.61	56.81	57.01
Short circuit current (I _{sc} / A)	14.11	14.19	14.27	14.35	14.43	14.51
Module efficiency	22.4%	22.5%	22.7%	22.9%	23.1%	23.3%

NMOT: Irradiance 800W/m², Ambient Temperature 20° C, AM=1.5, Wind Speed 1m/s

	470.0	473.8	477.5	481.3	485.0	488.8
Rated output (P _{mpp} / Wp)	470.0	473.8	477.5	481.3	485.0	488.8
Rated voltage (V _{mpp} / V)	43.57	43.73	43.88	44.03	44.19	44.35
Rated current (I _{mpp} / A)	10.79	10.83	10.88	10.93	10.98	11.02
Open circuit voltage (V _{oc} / V)	53.20	53.39	53.58	53.77	53.96	54.15
Short circuit current (I _{sc} / A)	11.39	11.45	11.52	11.58	11.65	11.71

Electrical Specifications (Integrated power)

P _{mpp} gain	P _{mpp} / Wp	V _{mpp} / V	I _{mpp} / A	V _{oc} / V	I _{sc} / A
5%	667	46.62	14.30	56.41	14.98
10%	699	46.62	14.98	56.41	15.69
15%	730	46.63	15.66	56.42	16.41
20%	762	46.63	16.34	56.42	17.12
25%	794	46.63	17.03	56.42	17.83

Electrical characteristics with different rear power gain (reference to 635W)

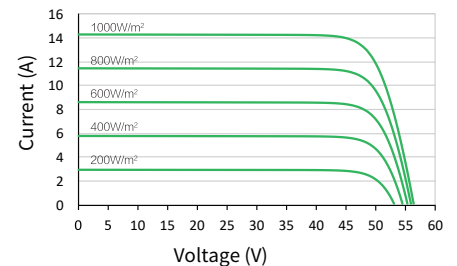
Temperature Ratings (STC)

Operating Parameters

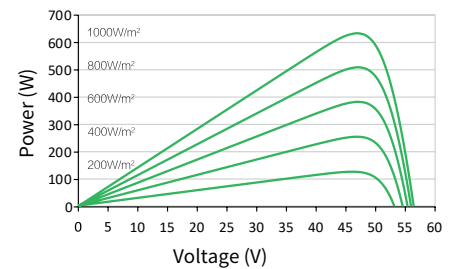
Temperature coefficient (P _{mpp})	-0.29%/°C	No. of diodes	3
Temperature coefficient (I _{sc})	+0.043%/°C	Junction box IP rating	IP 68
Temperature coefficient (V _{oc})	-0.25%/°C	Max. series fuse rating	30 A
Nominal module operating temperature (NMOT)	41±2°C	Max. system voltage (IEC/UL)	1500V _{DC}

Curve

Current-Voltage (635W)



Power-Voltage (635W)



Current-Voltage (635W)

